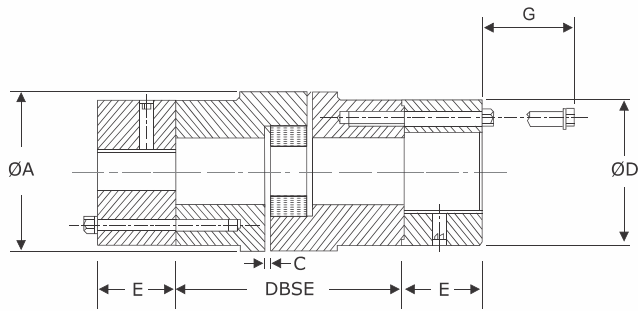


UTL USS COUPLINGS

(Spider Elastomer with Spacer)



FEATURES

- Simple construction, quick & easy installation
- Spider design presets correct distance between hubs, using raised dimple on leg of the spider
- Without disturbing the pump alignment & piping etc, maintenance is possible. Can also be used where quick disconnection of drive and driven units is required like compressors, generators & blowers etc
- Range up to 265 Nm
- Maximum permissible misalignment: angular 1°, parallel 0.4 mm & axial 3 mm (initial alignment must be 25 % of maximum)

Dimensions & Technical Data

Size	Rated Torque Nm	kW Rating at			Dimensions in mm							Torsional Stiffness Nm / rad	
		100 rpm	1500 rpm	3000 rpm	Min. bore	Max. bore	DBSE	ø A	ø D	E	C		G
095	21.10	0.220	3.30	6.60	10	30	90, 100,140	54	54	25	2	20	275
100	46.40	0.490	7.35	14.70	10	38	90,100, 140	65	65	30	2	20	688
110	89	0.930	13.95	27.90	15	42	90,100, 140,180	85	76	35	3	21	1719
150	141	1.490	22.35	44.70	15	48	90,100, 140,180	96	90	40	3	27	2120
190	190	2.010	30.15	60.30	20	55	90,100, 140,180	115	102	46	3	27	3495
225	265	2.760	41.40	82.80	20	65	90,100, 140,180	127	115	52	3	21	4584

- For non standard DBSE Please contact UTL

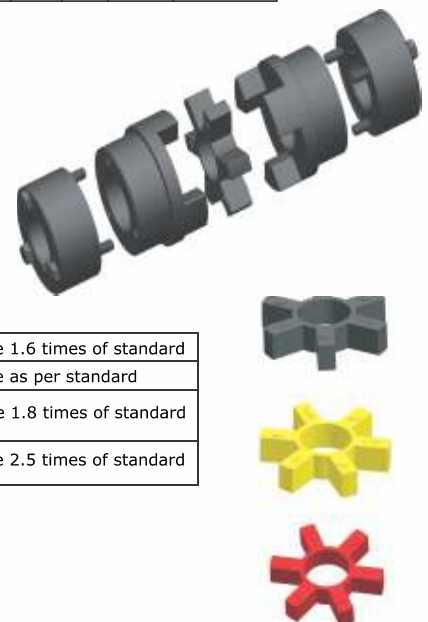
MATERIAL SPECIFICATIONS

Jaw	Size-095-225	Cast Iron	CI	DIN 1693 GG 20
Adaptor	Size-095-225	Cast Iron	CI	DIN 1693 GG 20
Spider 80° Shore A	All Size	Synthetic Rubber	NBR	ASTM D 2000 BG 810
Hex Bolt	All Size	High Tensile	St	ISO 4014 : Gr 8.8

Alternative Spider for higher power ratings is available on request.

Spider 92° Shore A	All Size	Synthetic Rubber	NBR	ASTM D 2000 BG 910	Torque 1.6 times of standard
Spider 80° Shore A	All Size	Synthetic Rubber	EPDM	ASTM D 2000 AA 810	Torque as per standard
Spider (Yellow Colour) 92° Shore A	All Size	Polyurethane	PU		Torque 1.8 times of standard
Spider (Red Colour) 98° Shore A	All Size	Polyurethane	PU		Torque 2.5 times of standard

- Max speed no to exceed surface speed V = 35 m / sec



- For temperature range of elastomers please see on page no. 34 - coupling selection

UTKARSH TRANSMISSIONS PVT. LTD.

RSV Industries Pvt Ltd
 103 Gundecha Chambers
 18 Nagindas Master Road,
 Fort, Mumbai 400001
 Tel No. : 22671598 / 22673253
 E-Mail. : sales@rsvindustries.com

www.utlcoupling.com