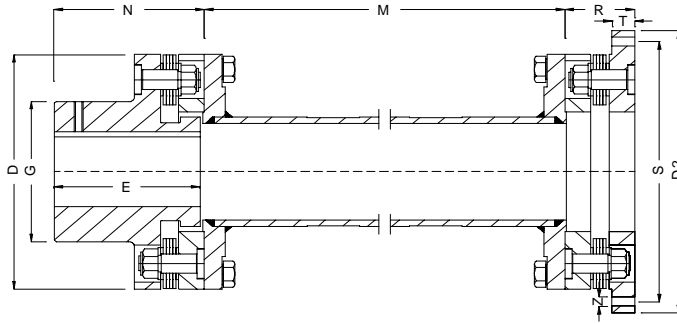


### Unique Flexilink Coupling Type 11

SIZE	NOMINAL RATING HP/100 RPM	TORQUE NM	PEAK OVERLOAD TORQUE NM	MAX SPEED RPM	MAX BORE MM	D Dia MM	G Dia MM	E MM	N MM	M MM	C MM
251	35.1	2500	6250	5600	75	230	125	110	115	140	150
321	44.9	3200	8000	5200	85	245	140	110	115	160	170
401	56.1	4000	10000	4800	95	270	155	125	132	170	184
501	70.2	5000	18000	4400	105	300	165	130	138	180	196
631	88.4	6300	22500	4000	120	325	185	130	138	190	206
801	112	8000	28000	3700	130	350	210	145	153	200	216
1000	140	10000	20000	3400	140	370	215	145	154	210	228
1001	154	11000	34900	3400	140	370	225	155	164	210	228
1251	175	12500	43000	3200	150	395	230	170	179	225	243
1601	225	16000	54500	2900	160	415	255	190	199	240	258
2000	281	20000	40000	2700	180	450	260	175	184	254	272
2001	281	20000	68000	2700	180	450	260	195	204	254	272
2501	351	25000	84000	2500	190	470	280	220	227	268	282
3201	449	32000	106000	2300	200	500	305	255	265	280	300
4000	561	40000	80000	2100	210	550	310	210	220	300	320
4001	561	40000	131500	2100	210	550	340	275	285	300	320
5000	702	50000	100000	1950	230	590	332	230	240	310	330
5001	702	50000	160000	1950	230	590	370	305	315	310	330
6301	884	63000	205000	1800	260	650	420	310	325	330	360
8000	1123	80000	160000	1650	270	690	375	270	285	360	390
8001	1123	80000	254000	1650	280	750	450	360	375	360	390

SIZE	MAX MISALIGNMENT		TOR STIFF	AXIAL STIFF	ANG STIFF (H CPLG)	MASS	INERTIA MR2	CHANGE/METRE SPACER LENGTH	
	AXIAL MM	RADIAL MM	MNM/RAD	N/MM	NM/RAD	KG	KGM2	MASS KG	MR2 KGM2
251	2.0	3.0	0.80	560	3250	44	0.267	18.1	0.04
321	2.0	3.0	0.98	450	3000	51	0.371	19.6	0.05
401	3.0	4.0	1.21	350	3000	72	0.596	23.4	0.08
501	4.0	4.0	1.55	560	11700	92	0.967	39.5	0.16
631	5.0	5.0	1.95	500	12380	115	1.463	32.0	0.14
801	6.0	5.0	2.65	635	18100	142	2.101	35.1	0.18
1000	6.0	5.0	2.57	350	11350	147	2.13	34.5	0.22
1001	6.0	5.0	3.00	560	18100	178	2.807	39.0	0.25
1251	6.0	6.0	3.75	750	28300	211	3.914	51.3	0.35
1601	6.0	6.0	4.12	600	25400	235	5.222	72.0	0.97
2000	8.0	6.5	4.75	580	27500	259	4.478	51.6	0.565
2001	8.0	6.5	5.45	820	38500	310	7.873	64.1	0.68
2501	8.0	7.0	6.70	945	51500	359	9.731	71.9	0.76
3201	8.0	7.0	8.75	1160	73000	441	13.6	80.8	1.07
4000	8.0	7.5	8.75	490	37000	481	12.5	88.7	1.42
4001	8.0	7.5	10.60	900	68000	620	22.1	101	1.68
5000	8.0	8.0	11.20	550	49000	625	17.0	100	2.02
5001	8.0	8.0	13.60	945	84000	757	30.9	100	2.02
6301	10.5	8.5	17.50	945	103000	975	48.6	132	3.11
8000	10.0	9.0	18.50	620	77000	911	35.0	124	3.88
8001	10.0	10.0	21.80	975	124000	1207	66.2	151	4.66

A- Mass & Inertia , Torsional Stiffness are with minimum spacer 'M'  
 B- Longer Spacer Lengths available as required



### Unique Flexilink Coupling Type 13

SIZE	FINAL RATING HP/100 RPM	TORQUE NM	PEAK OVERLOAD TORQUE NM	MAX SPEED RPM	MAX BORE MM	D Dia MM	G Dia MM	E MM	N MM	M MIN MM	O MM	R MM
251	35.1	2500	6250	5600	75	230	125	110	115	140	105	56.5
321	44.9	3200	8000	5200	85	245	140	110	115	160	115	58.5
401	56.1	4000	10000	4800	95	270	155	125	132	170	135	62.5
501	70.2	5000	18000	4400	105	300	165	130	138	180	150	73.5
631	88.4	6300	22500	4000	120	325	185	130	138	190	160	81.5
801	112	8000	28000	3700	130	350	210	145	153	200	180	85.5
1000	140	10000	20000	3400	140	370	215	145	154	210	190	79.5
1001	154	11000	34900	3400	140	370	225	155	164	210	190	89.5
1251	175	12500	43000	3200	150	395	230	170	179	225	200	100.5
1601	225	16000	54500	2900	160	415	255	190	199	240	220	100.5
2000	281	20000	40000	2700	180	450	260	175	184	254	230	93.5
2001	281	20000	68000	2700	180	450	260	195	204	254	230	117.5
2501	351	25000	84000	2500	190	470	280	220	227	268	240	119.5
3201	449	32000	106000	2300	200	500	305	255	265	280	260	127.5
4000	561	40000	80000	2100	210	550	310	210	220	300	290	115.5
4001	561	40000	131500	2100	210	550	340	275	285	300	290	137.5
5000	702	50000	100000	1950	230	590	332	230	240	310	320	125.5
5001	702	50000	160000	1950	230	590	370	305	315	310	320	141.5
6301	884	63000	205000	1800	260	650	420	310	325	330	360	151.5
8000	1123	80000	160000	1650	270	690	375	270	285	360	400	141.5
8001	1123	80000	254000	1650	280	750	450	360	375	360	400	159.5

SIZE	D2 Dia MM	Z NO*MM	S Dia MM	T MM	MAX MISALGNMENT AXIAL MM	RADIAL MM	TOR STIFF MNM/RAD	AXIAL STIFF N/MM	ANG STIFF (H CPLG) NM/RAD	MASS KG	INE-RTIA MR2 KGM2	CHANGE/METRE SPACER LENGTH MASS KG	MR2 KGM2
251	300	8*18	265	18	2.0	3.0	0.80	560	3250	42	0.33	18.1	0.04
321	315	8*18	280	19	2.0	3.0	0.98	450	3000	49	0.44	19.6	0.05
401	340	12*18	305	21	3.0	4.0	1.21	350	3000	67	0.69	23.4	0.08
501	365	12*18	330	23	4.0	4.0	1.55	560	11700	87	1.09	39.5	0.16
631	390	12*18	360	26	5.0	5.0	1.95	500	12380	109	1.64	32.0	0.14
801	430	12*22	395	27	6.0	5.0	2.65	635	18100	132	2.37	35.1	0.18
1000	450	12*22	410	24	6.0	5.0	2.57	350	11350	139	2.18	34.5	0.22
1001	450	12*22	410	29	6.0	5.0	3.00	560	18100	166	3.13	39.0	0.25
1251	470	12*22	435	33	6.0	6.0	3.75	750	28300	198	4.33	51.3	0.35
1601	495	12*26	455	33	6.0	6.0	4.12	600	25400	217	5.62	72.0	0.97
2000	530	12*26	490	28	8.0	6.5	4.75	580	27500	239	4.78	51.6	0.57
2001	530	12*26	490	40	8.0	6.5	5.45	820	38500	289	8.64	64.1	0.68
2501	565	12*26	520	39	8.0	7.0	6.70	945	51500	335	10.8	71.9	0.76
3201	595	12*26	550	40	8.0	7.0	8.75	1160	73000	408	14.5	80.8	1.07
4000	665	12*33	610	35	8.0	7.5	8.75	490	37000	454	13.2	88.7	1.42
4001	665	12*33	610	46	8.0	7.5	10.6	900	68000	556	24.0	101	1.68
5000	705	12*33	650	38	8.0	8.0	11.2	550	49000	559	18.5	100	2.02
5001	705	12*33	650	46	8.0	8.0	13.6	945	84000	661	32.5	100	2.02
6301	770	12*33	710	49	10.5	8.5	17.5	945	103000	841	50.2	132	3.11
8000	810	12*39	750	42	10.0	9.0	18.5	620	77000	795	36.9	124	3.88
8001	810	12*39	750	52	10.0	10.0	21.8	975	124000	1012	66.6	151	4.66

A- Mass & Inertia , Torsional Stiffness are with minimum spacer 'M'  
 B- Longer Spacer Lengths available as required