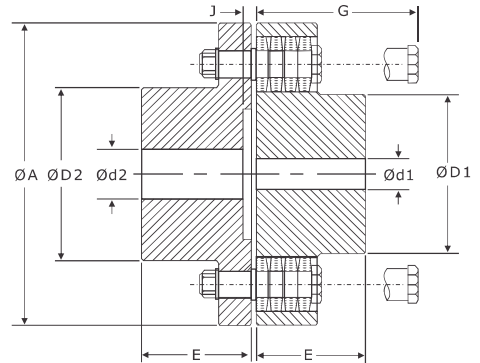




**RSV** Industries Pvt. Ltd.

**UTL URC COUPLINGS**  
(Coupling with Cone Rings as Elastomers)

**UTL FLEXIBLE COUPLINGS**



**FEATURES**

- Simple mechanism, easy to inspect and change the flex cone rings, without moving either shaft or hub of the coupling
- Flex cone rings are the only wear parts, minimise running cost
- Range up to 45000 Nm

**DIMENSIONS & TECHNICAL DATA**

Size	Rated Torque Nm	kW Rating at 100 rpm	Maximum speed rpm	Dimensions are in mm									Misalignment			Weight / Coupling kg approx.	Moment of Inertia kg.m <sup>2</sup> App. (Min bore)
				Min. Bore	Max. Bore		ØA	ØD1	ØD2	E	G	J	Angular (°)	Parallel (mm)	Axial (mm)		
					Ød1	Ød2											
20	50	0.56	6500	12	20	28	89	35	44	33	73	6	1°	0.1	1.5	1.8	0.002
30	110	1.2	4600	12	30	38	127	51	66	41	88	6	1°	0.1	1.5	3.5	0.007
38	190	2.0	4400	15	38	42	132	64	72	48	88	6	1°	0.1	1.5	4.9	0.009
42	290	3.0	4000	15	42	48	146	70	82	56	88	6	1°	0.1	1.5	6.3	0.013
48	480	5.0	3400	21	48	55	171	82	94	61	114	6	1°	0.15	1.5	10.4	0.034
58	760	8.0	3000	21	58	65	193	97	110	68	114	6	1°	0.15	1.5	14.2	0.055
70	1000	11.0	2700	21	70	75	216	117	130	76	114	6	1°	0.15	1.5	19.8	0.092
75	2600	27.0	2300	28	75	80	254	127	142	88	179	6	1°	0.2	1.5	36.9	0.269
85	3500	37.0	2090	28	85	90	279	147	160	100	179	6	1°	0.2	1.5	48.5	0.408
105	5300	56.0	1760	34	105	120	330	180	210	117	179	6	1°	0.2	1.5	76.4	0.832
120	9000	94.0	1570	61	120	130	370	206	225	132	244	9	1°	0.25	1.5	121	1.811
135	12000	128.0	1390	67	135	150	419	230	260	147	244	9	1°	0.25	1.5	163	2.998
150	16000	167.0	1280	82	150	170	457	256	300	165	244	11	1°	0.25	1.5	209	4.397
170	25000	258.0	1090	96	170	190	533	292	320	188	318	11	1°	0.25	1.5	305	9.998
190	34000	360.0	975	122	190	215	597	330	380	211	318	6	1°	0.40	1.5	397	15.900
215	45000	467.0	880	135	215	240	660	368	430	237	318	6	1°	0.40	1.5	508	24.950
240	92030	964.0	900	140	250	250	737	407	407	264	170	6	1.5°	1.00	2.5	760	52.994
265	121900	1277.0	800	160	285	285	826	457	457	292	170	6	1.5°	1.00	2.5	997	89.411
280	158800	1663.0	720	180	310	310	927	508	508	311	170	6	1.5°	1.00	2.5	1300	141.075
305	191060	2000.0	675	180	330	330	991	533	533	324	170	6	1.5°	1.00	2.5	1509	182.174
330	251200	2631.0	625	200	355	355	1067	572	572	330	170	6	1.5°	1.00	2.5	1755	240.094

**MATERIAL SPECIFICATIONS**

Hub	Size - 20-105	Cast Iron	CI	DIN 1693 GG 20
Hub	Size - 120-215	Cast Iron	CI	DIN 1693 GG 25
Cone Ring 70° Shore A	All Size	Natural Rubber	NR	ASTM D2000 710
Coupling pin	All Size	Steel C 40	St	EN / DIN 10263 - 2



\* For temperature range of elastomers please see on page no. 37 - coupling selection



**RSV** Industries Pvt. Ltd.

www.rsvindustries.com  
sales@rsvindustries.com  
+91 74004 33355