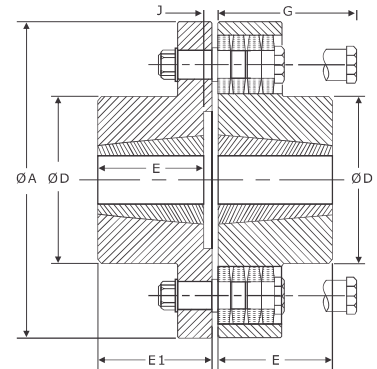




RSV Industries Pvt. Ltd.

UTL FLEXIBLE COUPLINGS

UTL URCT COUPLINGS
(Coupling with Taper Bore & Cone Rings as Elastomers)



FEATURES

- Simple mechanism, easy to inspect and change the flex cone rings, without moving either shaft or hub of the coupling
- Flex cone rings are the only wear parts. Minimise running cost
- Range up to 16000 Nm
- Taper bush gives clamping on shaft total surface
- Easy to replace thus minimising maintenance time

DIMENSIONS & TECHNICAL DATA

Size	Rated Torque Nm	kW Rating at 100 rpm	Maximum speed rpm	Taper Bush Size	Dimensions are in mm							Misalignment			Weight / Coupling kg approx.	Moment of Inertia kg.m ² App. (Min bore)
					Bore Range	ØA	ØD	E	E1	G	J	Angular (°)	Parallel (mm)	Axial (mm)		
42	290	3.0	4000	1215	12-32	146	70	38	41	88	6	1°	0.1	1.5	5.5	0.013
48	480	5.0	3400	1615	14-42	171	82	38	41	114	6	1°	0.15	1.5	9	0.032
58	760	8.0	3000	2017	14-50	193	97	45	47	114	6	1°	0.15	1.5	13	0.053
70	1000	11.0	2700	2525	16-60	216	117	64	68	114	6	1°	0.15	1.5	18.1	0.088
75	2600	27.0	2300	2525	16-60	254	127	64	68	179	6	1°	0.2	1.5	35.2	0.265
85	3500	37.0	2090	3030	24-75	279	147	76	80	179	7	1°	0.2	1.5	44.1	0.39
105	5300	56.0	1760	3535	35-90	330	180	89	93	179	6	1°	0.2	1.5	72.1	0.773
120	9000	94.0	1570	4040	40-100	370	206	102	106	244	10	1°	0.25	1.5	108	1.718
135	12000	128.0	1390	4545	55-115	419	230	114	119	244	11	1°	0.25	1.5	144	2.869
150	16000	167.0	1280	5050	70-127	457	256	127	132	244	11	1°	0.25	1.5	181	4.069

MATERIAL SPECIFICATIONS

Hub	Size - 42-105	Cast Iron	CI	DIN 1693 GG 20
Hub	Size - 120-150	Cast Iron	CI	DIN 1693 GG 25
Cone Ring 70° Shore A	All Size	Natural Rubber	NR	ASTM D2000 710
Coupling pin	All Size	Steel C 40	St	EN / DIN 10263 - 2



* For temperature range of elastomers please see on page no. 37 - coupling selection



RSV Industries Pvt. Ltd.

www.rsvindustries.com
sales@rsvindustries.com
+91 74004 33355