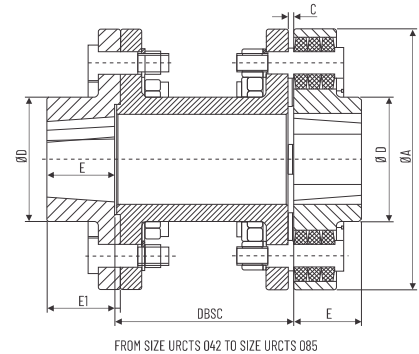




RSV Industries Pvt. Ltd.

UTL URCTS COUPLINGS

UTL FLEXIBLE COUPLINGS



FEATURES

- Simple mechanism, easy to inspect and change the flex cone rings, without moving either shaft or hub of the coupling.
- Flex cone rings are the only wear parts. They cost very less.
- This makes the URCTS cone ring coupling economical in the long run.
- Range up to 3500 nm torque - ratings.
- Taper bush gives clamping on shaft total surface.
- Easy to replace thus minimising maintenance time.

DIMENSIONS & TECHNICAL DATA

Size	Rated Torque Nm	kW. Rating at 100 rpm	Max. Speed rpm	Bush Size	Bore Range	DBSC	Dimensions are in mm					Max. Misalignment			Wt in. Kg approx. in Pilot Bore	M.I. in kg. m ² in Pilot Bore
							ØA	ØD	E	E1	C	Axial mm	Radial mm	Angular		
42	290	3.0	4000	1215	12-32	100,140,180	146	70	38	41	3	1.5	1.75	1°	8.06	0.020
48	480	5.0	3400	1615	14-42	100,140,180	171	82	38	41	3	1.5	1.75	1°	13.16	0.050
58	760	8.0	3000	2017	14-50	100,140,180	193	97	45	47	3	1.5	1.75	1°	17.67	0.084
70	1000	11.0	2700	2525	16-60	100,140,180	216	117	64	68	4	1.5	1.75	1°	22.60	0.135
75	2600	27.0	2300	2525	16-60	140,180	254	127	64	68	4	1.5	2.44	1°	48.65	0.403
85	3500	37.0	2090	3030	24-75	140,180	279	147	76	80	4	1.5	2.44	1°	61.09	0.624

MATERIAL SPECIFICATIONS

Hub	42-85	Cast Iron	CI	DIN 1693 GG 20
Cone ring	70° Shore A	Natural Rubber	NR	STASTM D2000 710
Coupling pin		C 40		EN/DIN 10263-2
Spacer	42-85	SG 400-15	SG	EN-GJS-400-15

- Alternative cone ring for higher power ratings is available on request

Cone ring	98° Shore A	Polyurethane	PU	
-----------	-------------	--------------	----	--



* For temperature range of elastomers please see on page no. 37 - coupling selection



RSV Industries Pvt. Ltd.

www.rsvindustries.com

sales@rsvindustries.com

+91 74004 33355