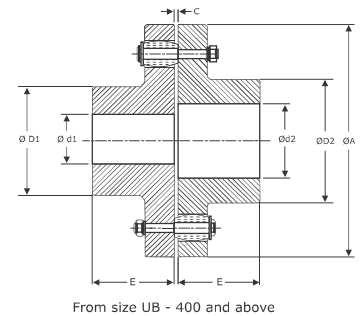
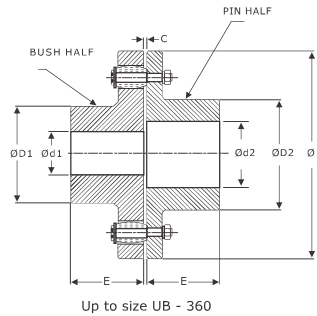




UTL UB COUPLINGS (Coupling with Curved Bushes)

UTL FLEXIBLE COUPLINGS



FEATURES

- Assembling and dismantling is very easy
- By removing the pins, prime mover can be run independently
- Standard bushes (element) in natural rubber
- After removing the pins, the hub with shaft can be removed upwards without disturbing the alignment
- The flexible bushes remain unaffected by water, dust and atmospheric conditions
- Range up to 160000 Nm
- Working temperature up to 70° C

DIMENSIONS & TECHNICAL DATA

Size	Rated Torque Nm	kW Rating at 100 rpm	Maximum speed rpm	Dimensions are in mm								Max. Misalignment			No of holes	Weight / Coupling kg approx.	Moment of Inertia kg.m ²
				Min. Bore	Max. Bore		ØA	ØD1	ØD2	E	C	Angular (°)	Parallel (mm)	Axial (mm)			
					Ød1	Ød2											
105	95	1.00	7200	11	30	32	105	48	50	45	2-6	1°	0.3	2	3	2.682	0.003
116	146	1.53	6100	12	39	42	116	60	68	45	2-6	1°	0.3	2	4	3.575	0.005
125	166	1.73	5500	14	45	50	125	68	78	50	2-6	1°	0.4	2	4	4.891	0.007
144	318	3.33	4900	18	50	60	144	82	91	55	2-6	1°	0.4	2	6	6.679	0.012
162	525	5.50	4500	22	60	65	162	89	100	60	2-6	1°	0.4	2	6	9.393	0.030
178	643	6.73	3800	24	70	75	178	105	115	70	2-6	1°	0.5	2	6	13.306	0.040
198	1248	13.07	3400	28	80	90	198	124	135	80	2-6	1°	0.5	2	10	18.37	0.062
228	2050	21.47	3000	28	90	100	228	133	146	90	4-10	1°	0.6	3	11	27.241	0.100
252	3069	32.13	2700	38	105	115	252	156	167	100	4-10	1°	0.6	3	12	37.005	0.170
285	4552	47.67	2400	48	115	125	285	170	186	110	4-10	1°	0.7	3	11	52.163	0.310
320	6099	63.87	2100	55	125	135	320	196	212	125	4-10	1°	0.7	3	12	74.359	0.530
360	8900	93.20	1900	65	135	150	360	212	232	140	4-12	1°	0.9	4	11	105.055	1.020
400	12051	126.20	1700	75	160	160	400	230	230	160	4-12	1°	1.1	4	10	133.63	1.700
450	18602	194.80	1500	85	180	180	450	260	260	180	4-12	0.5°	1.1	4	12	183.734	2.900
500	25802	270.20	1350	95	200	200	500	290	290	200	4-12	0.5°	1.1	4	14	244.977	4.700
560	31003	324.67	1200	95	225	225	560	320	320	220	4-8	0.5°	1.5	2	10	390.925	10.700
630	41998	439.80	1050	100	250	250	630	355	355	240	4-8	0.5°	1.5	2	12	519.049	17.400
710	75000	785.40	950	100	260	260	710	385	385	260	5-9	0.5°	1.8	2	12	711.633	33.000
800	100000	1047.20	850	100	280	280	800	420	420	290	5-9	0.5°	1.8	2	14	984.192	53.000
900	160000	1623.13	750	100	305	305	900	465	465	320	5-9	0.5°	1.8	2	16	1299.423	86.000

MATERIAL SPECIFICATIONS

Hub	Size - 105-360	Cast Iron	CI	DIN 1693 GG 20
Hub	Size - 360 - 900	Cast Iron	CI	DIN 1693 GG 25
Bush 80° Shore A	All Size	Natural Rubber	NR	ASTM D2000 810
Coupling pin	All Size	Steel C 40	St	EN / DIN 10263 - 2

• Alternative Bush for higher power ratings is available on request

Bush 92° Shore A	All Size	Natural Rubber	NR	ASTM D2000 910	Torque 1.6 times of standard
Bush 92° Shore A (Yellow Colour)	All Size	Polyurethane	PU		Torque 1.8 times of standard
Bush 98° Shore A (Red Colour)	All Size	Polyurethane	PU		Torque 2.5 times of standard



• For temperature range of elastomers please see on page no. 37 - coupling selection



RSV Industries Pvt. Ltd.

www.rsvindustries.com
sales@rsvindustries.com

+91 74004 33355